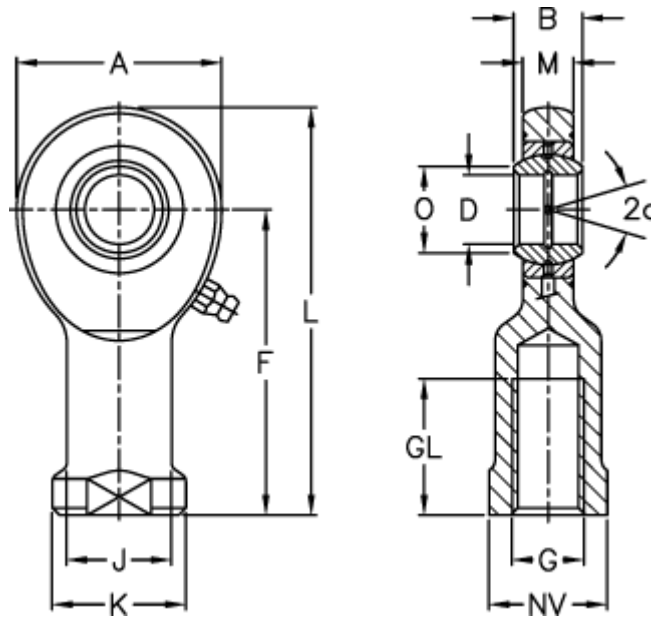


Article number: 03460016
 Description: Fluro Rod end EI 16
 Note: 16

Measures



A	= 46	J	= 24
a (degrees)	= 10	K	= 30
B	= 14	L	= 90
D	= 16	M	= 11
Dynamic drive (kN)	= 21.2	NV	= 27
F	= 67	O	= 20.7
g	= M16	Static drive kN	= 54.5
GL	= 33	Weight	= 220